

Trimax S200 Series

Industrial Applications - 50Hz

RAMS

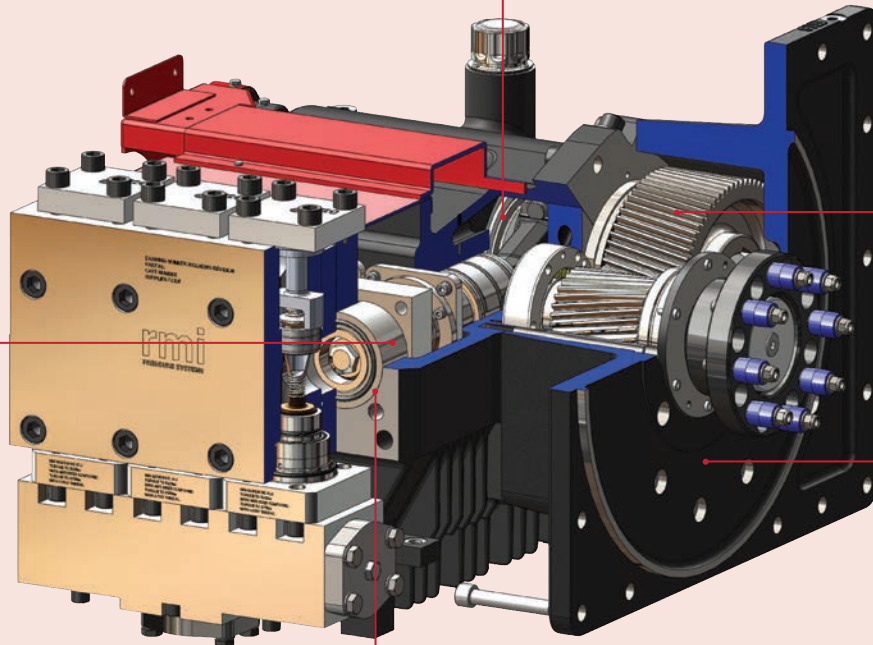
High purity alumina oxide ceramic or hardened stainless steel.

BEARINGS

Spherical roller main journals with lead bronze small and big ends.

GEARS

Precision ground steel to provide maximum life and optimum speeds.



VALVE LIFTERS (not shown)

Can be fitted as an optional extra for safe pressure control.

GLAND PACKING

Self-adjusting spring loading packing, for maximum sealing.

MOTOR

Flange mounted, on self aligning pedestal for trouble free installation.

The Trimax S200 series pump is specified to provide a safe and reliable supply of high pressure water or water based fluids in a variety of industries including mining, petrochemicals, power generation, metal processing and site services.

PUMP GENERAL PERFORMANCE DATA

Flow	45 - 491 l/min	51 - 130 USgpm
Pressure	2,070 - 167 Bar	30,023 - 2,857 psi
Motor Power	149 - 186 kW	200 - 250 HP



S200 PUMP DUTIES (150kW/200hp)

Motor Speed 1,475rpm
Crank Speed 560rpm

RamØ	Pump Flow		Pump Pressure	
	L/min	US gpm	BAR	PSI
50	194	51	400	5,802
55	234	62	354	5,134
60	254	67	297	4,308
62	298	79	278	4,032
65	328	87	253	3,669
70	375	99	218	3,162
75	432	114	190	2,756
80	491	130	167	2,422

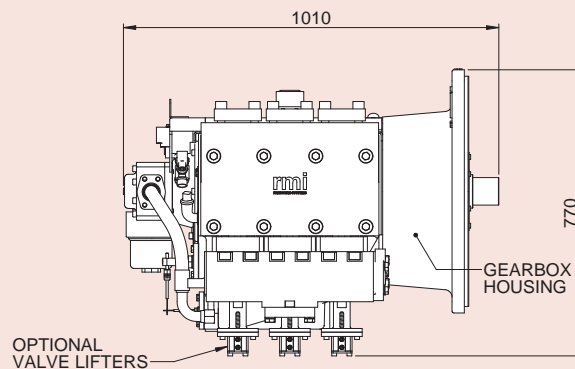
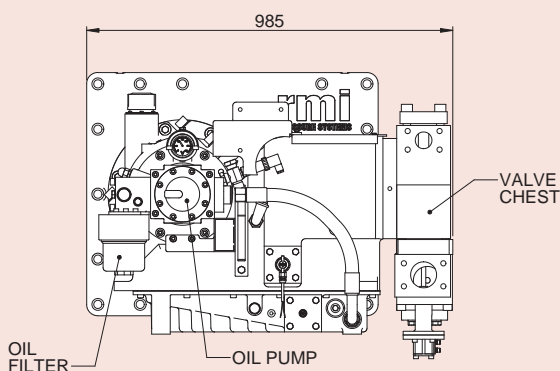
S250 PUMP DUTIES (175kW/250hp)

Motor Speed 1,475rpm
Crank Speed 560rpm

RamØ	Pump Flow		Pump Pressure	
	L/min	US gpm	BAR	PSI
24*	45	12	2,070	30,023
28	61	16	1,379	20,001
30	70	18	1,379	20,001
40	124	33	770	11,168
45	157	42	620	8,992

Mechanical efficiency 95 %
Volumetric efficiency 98 %
*5 Bar inlet high boost required

PUMP DIMENSIONS



Note: Improvements in general design and modifications in detail will be embodied for the benefit of clients as and when introduced; consequently this specification is subject to alteration, as and when necessary, without notice.

HEAD OFFICE

RMI Pressure Systems
1 Wolverton Street
Manchester
M11 2ET
United Kingdom
T: +44 (0)161 274 2451
E: rmiinfo@armlink.com

AUSTRALIA OFFICE

RMI Pty. Ltd
40 Aruma Place
Cardiff
NSW 2285
Australia
T: +61 (02)4954 0163
E: sales@rmipsl.com.au

CHINA OFFICE

RMI Pressure Systems
Room A050
10th Floor Nexus Center
No.19 East Third Ring Road
Chaoyang District
Beijing, China
T: +86-15-65290-0513
E: rmiinfo@armlink.com

USA OFFICE

RMI Inc.
6599 Old Birmingham Highway
Jasper
Alabama 35501-8216
United States
T: +1 (205)483 0350
E: sales@repowermining.com

www.rmipsl.com