

Trimax S75 Series

Industrial Applications - 50Hz

INTEGRAL OIL PUMP

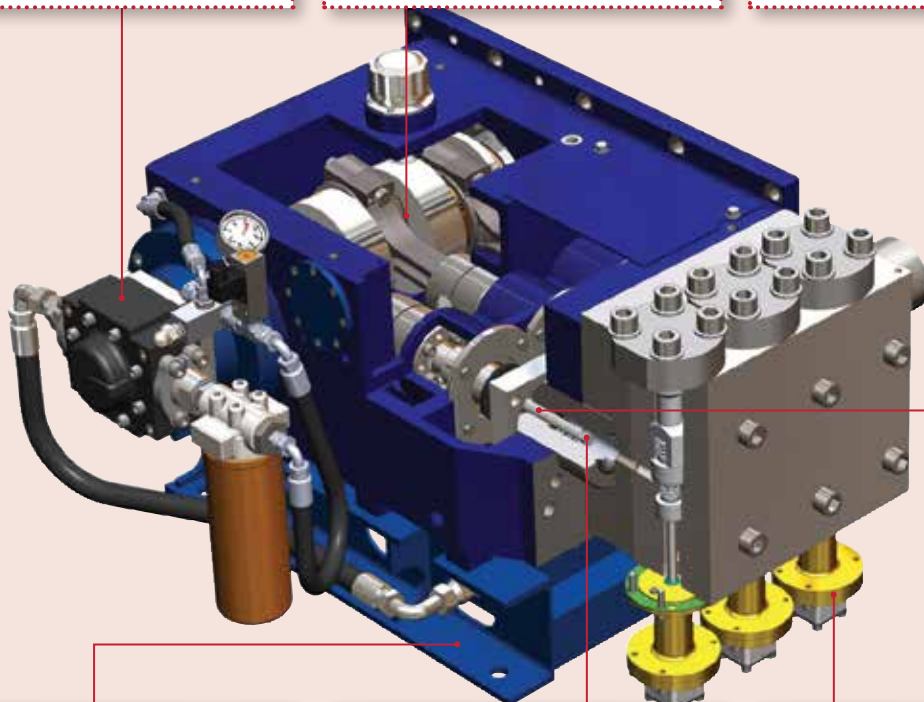
Maximum efficiency and compact design, complete with filtration.

BEARINGS

Spherical roller main journals with lead bronze small and big ends.

RAMS

High purity alumina oxide ceramic or hardened stainless steel.



MOUNTING

Subframe mounted, to allow for alternative drive options.

GLAND PACKING

Self-adjusting spring loading packing, for maximum sealing.

VALVE LIFTERS

Can be fitted as an optional extra for safe pressure control.

The Trimax S75 series pump is specified to provide a safe and reliable supply of high pressure water or water based fluids in a variety of industries including mining, petrochemicals, power generation, metal processing and site services.

PUMP GENERAL PERFORMANCE DATA

Flow	22 - 206 l/min	6 - 54 USgpm
Pressure	1,380 - 100 Bar	20,015 - 1,450 psi
Motor Power	55 - 75 kW	75 - 100 HP

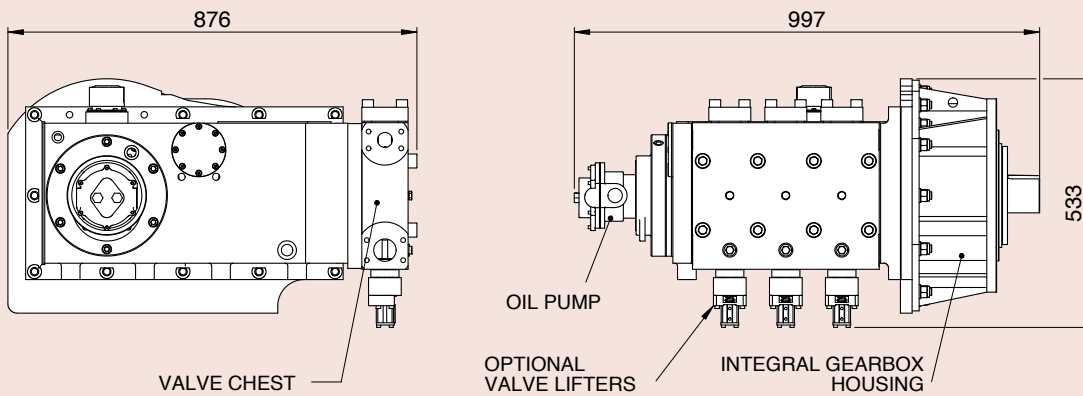


S75 PUMP DUTIES (55kW/75hp)				
Motor Speed 1,475rpm Crank Speed 502rpm Stroke Length 60mm				
RamØ	Pump Flow		Pump Pressure	
	L/min	US gpm	BAR	PSI
18*	22	6	1355	19,653
25*	42.5	11	700	10,153
35	83.5	22	355	5,149
40	109	29	270	3,916
45	138	36	215	3,118
50.8	176	46	170	2,466
55	206	54	100	1,450

S75 PUMP DUTIES (75kW/100hp)				
Motor Speed 1,475rpm Crank Speed 502rpm Stroke Length 60mm				
RamØ	Pump Flow		Pump Pressure	
	L/min	US gpm	BAR	PSI
18	22	6	1380	20,015
25	43	11	730	10,588
35	83.5	22	375	5,439
40	109	29	290	4,206
45	138	36	225	3,263
50.8	176	46	180	2,611
55	206	54	100	1,450

Mechanical efficiency 90% Volumetric efficiency 95% *5 Bar inlet high boost required 660rpm crank speed available

PUMP DIMENSIONS



Note: Improvements in general design and modifications in detail will be embodied for the benefit of clients as and when introduced; consequently this specification is subject to alteration, as and when necessary, without notice.

HEAD OFFICE

RMI Pressure Systems
1 Wolverton Street
Manchester
M11 2ET
United Kingdom
T: +44 (0)161 274 2451
E: rmiinfo@armlink.com

AUSTRALIA OFFICE

RMI Pty. Ltd
40 Aruma Place
Cardiff
NSW 2285
Australia
T: +61 (02)4954 0163
E: sales@rmipsl.com.au

CHINA OFFICE

RMI Pressure Systems
Room A050
10th Floor Nexus Center
No.19 East Third Ring Road
Chaoyang Distring
Beijing, China
T: +86-15-65290-0513
E: rmiinfo@armlink.com

USA OFFICE

RMI Inc.
6599 Old Birmingham Highway
Jasper
Alabama 35501-8216
United States
T: +1 (205)483 0350
E: sales@repowermining.com

www.rmipsl.com